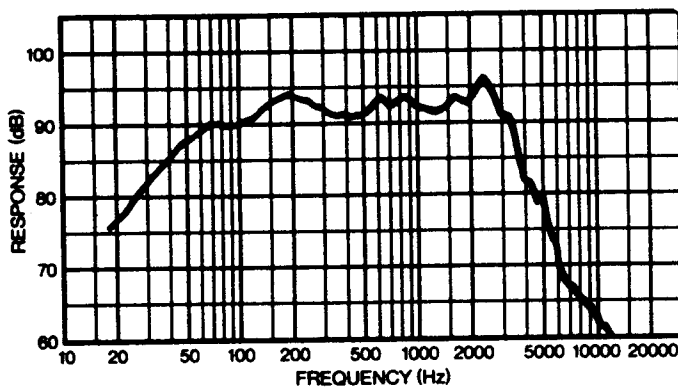


Technical Specifications

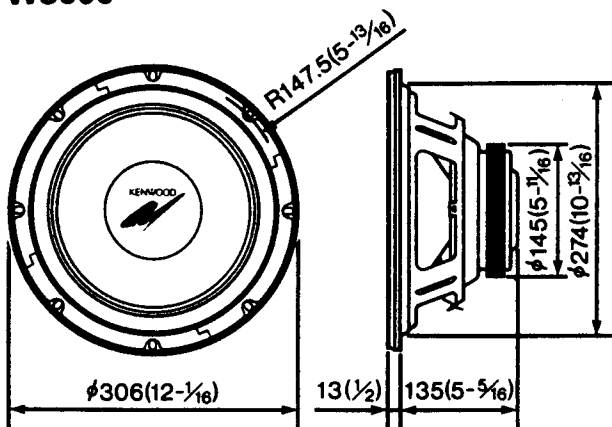
	SYMBOL	UNIT	KFC-W3000
Nominal Impedance	Z	ohms	4
DC Resistance	R _E	ohms	3.15
Voice Coil Inductance	L _{BM}	μH	1.09 × 10 ³
Resonant Frequency	F _{SO}	Hz	25
Resonant Frequency Impedance	Z _{SO}	ohms	82.0
Mechanical Q Factor	Q _{MS}		9.812
Electrical Q Factor	Q _{ES}		0.392
Total Q Factor	Q _{TS}		0.377
Volume Acoustic Compliance	V _{AS}	liter (cuft)	137.22 4.85
Mechanical Resistance	R _{MS}	kg/s	1.451
Moving Mass	M _{MS}	g	81.03
Suspension Compliance	C _{MS}	m/N	0.401 × 10 ⁻³
Emissive Diameter of the Diaphragm	D	mm	0.256
Voice Coil Diameter	d	mm	65.75
Voice Coil Layers	n		2
Flux Density	B	T	0.92
Force Factor	BL	T·m	10.712
Diameter of Magnet	A	mm	145
Weight of Magnet		kg	1.2
Total Flux	Φ	Wb	1.73 × 10 ⁻³
Peak Excursion	X max	mm	5.5

Frequency response



Dimensions

KFC-W3000



Unit: mm(inch)